



Motor Protectors from Sensata Technologies 34HM Series Hermetically Sealed On-Winding 3-Phase

<http://www.sensata.com/>

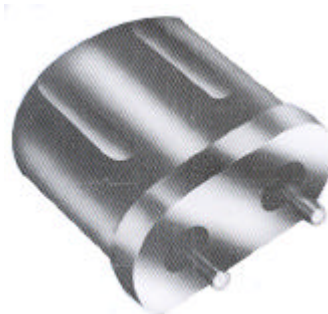
- Protect WYE (Star) wound 3-phase motors from 1 to 6HP.

Used in refrigeration compressors, submersible pumps and other restrictive environments.

- In-line protection in a small, rugged, welded construction. Low profile shape allows for close coupling to motor windings.

- KLIXON snap-action discs assure positive make and break. action and controlled temperature differential.

- Designed for low and high side pressure applications.



Compliant with European Directive 2002/95/EC Restrictions On Use Of Hazardous Substances (RoHS).

Product Overview

The KLIXON 34HM on-winding motor protector is a 3-phase line break, automatic reset device which interrupts line current at the centerpoint of a WYE (Star) wound motor.

This protector is designed to protect 3-phase refrigeration and air conditioning compressor motors from excessive winding temperature; however, applications may be made to any WYE wound 3-phase motors where environmental conditions require a hermetic seal.

The low profile permits the device to be installed directly on motor windings for closely coupled temperature monitoring, thus enhancing over-temperature protection against loss of refrigeration charge, low voltage locked rotor, and single phasing (loss of phase).

The 34HM is designed to reduce installation costs by replacing pilot control systems with a simple, economical, compact device.

Maximum Recommended Locked Rotor Current

Standard Series		
1XX	2XX	3XX
230V	460V/380V	575V
90A	45A	35A

High Capacity Series		
4XX	5XX	6XX
230V	460V/380V	575V
105A	75A	60A

Current ratings are based on life test data which has demonstrated high reliability at 0.7 power factor on Sensata test boards. These capacities are intended as a guide for application work.

*The basic element of the 34HM is the famous **KLIXON®** Snap Acting Disc*

Opening Temperature

100°C to 180°C (5°C increments)
Tolerance +/-5°C

Closing Temperature

to suit application
Tolerance +/-9°C

Pressure Rating

1600 PSIG
110 bar

Coding System

When making an inquiry on KLIXON hermetically sealed motor protectors, be certain to specify the entire part number for your application, if known. The six digits following the series identification indicate your specific electrical and physical requirement.

34HM XXX XXX

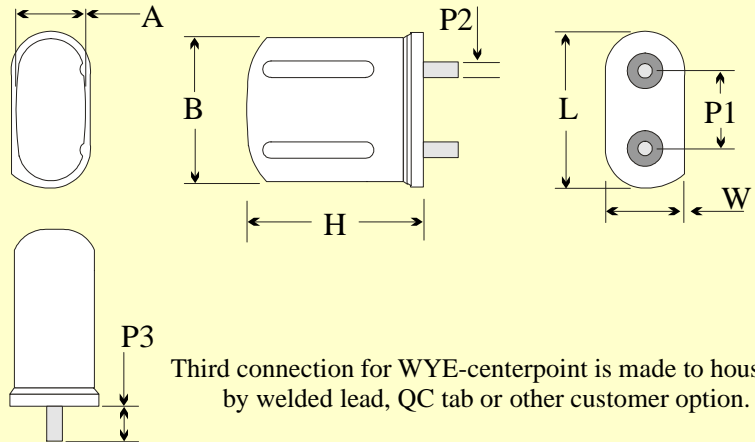
Basic Part Number

Termination

- Quick Connects
- Wire Leads
- Sleeves etc

Electrical Characteristics

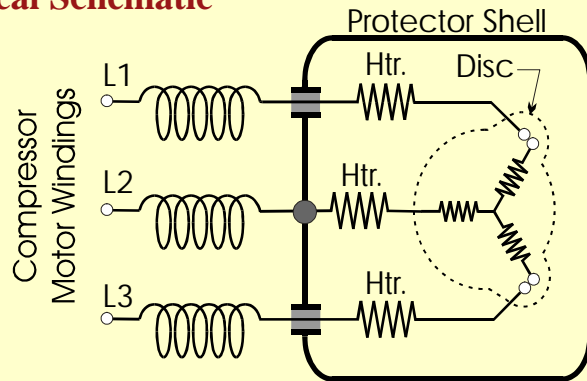
34HM Hermetic Motor Protector



Third connection for WYE-centerpoint is made to housing by welded lead, QC tab or other customer option.

Unit	L	W	H	P1	P2	P3	A	B
Ins	1.170	0.585	1.150	0.556	0.089	0.250	0.585	1.080
mm	29.7	14.9	29.2	14.1	2.3	6.4	14.9	27.4

Electrical Schematic



UL & Canadian-UL File # E15692
CQC File # CQC05002011992
KEMA (ENEC) File # 2018218.08

For further information write to: hermetics@list.ti.com

Important Notice

We reserve the right to make changes to or to discontinue any product or service identified in this publication without notice.

We advise customers to obtain the latest version of the relevant information to verify, before placing orders, that the information used is current.

We assume no responsibility for infringement of patents or rights of others based on applications assistance or product specifications since we do not possess full access concerning the use or application of customer's products.

We also assume no responsibility for customer's product designs.