

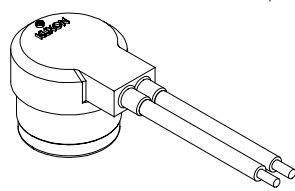
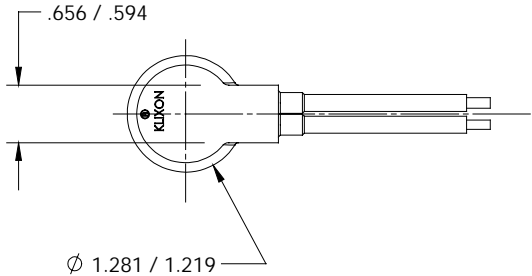
4

3

2

1

REVISIONS				
ZONE	LTR	DESCRIPTION	DATE	APPROVED



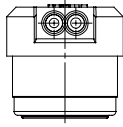
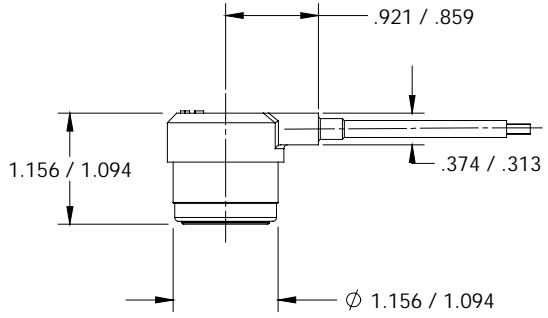
- NOTES:
- 1) SWITCH LOGIC: SINGLE POLE SINGLE THROW
 - 2) OVERMOLD MATERIAL- DOW CORNING #152 REDDISH BROWN SILASTIC RUBBER OR EQUAL.
 - 3) WIRE AWG #18 SILICONE RUBBER INSULATED

D

D

C

C



B

B

A

A

NEITHER THIS PRINT NOR THE INFORMATION CONTAINED THEREON IS TO BE USED AGAINST THE INTEREST OF TEXAS INSTRUMENTS, INC. OR AGAINST THE INTERESTS OF ANY OF ITS AFFILIATED COMPANIES OR WHOLLY OWNED SUBSIDIARIES.

FOR REFERENCE ONLY CONSULT TEXAS INSTRUMENTS CUSTOMER SERVICE FOR LATEST REVISION BEFORE USE

UNLESS OTHERWISE SPECIFIED DIMENSIONS ARE IN INCHES						THIS IS A CAD DRAWING. THE GEOMETRY IN THE ASSOCIATED CAD COMPUTER FILE IS DIMENSIONALLY ACCURATE. WHEN DRAWING IS BEING REVISED, THE GEOMETRY MUST BE UPDATED IN ALL VIEWS AND ON ALL SHEETS.					
DRAWN		DATE		TEXAS INSTRUMENTS ATILEBORO MA 02705				CONTROL PRODUCTS DIVISION			
S. MARQUIS		3/25/02									
ENGINEER		APPROVED		TITLE							
APPROVED		APPROVED		THERMOSTAT SWITCH ENVELOPE DRAWING							
MATERIAL		APPROVED									
SIGNATURES ON FILE. REFER TO ELECTRONIC CHANGE NOTICE.		SIZE		CODE IDENT NO.		4391S7 STYLE					
SCALE		B		82647		SHEET					

4

3

2

1