

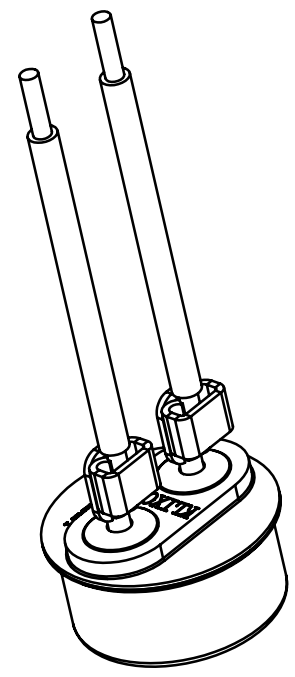
4

3

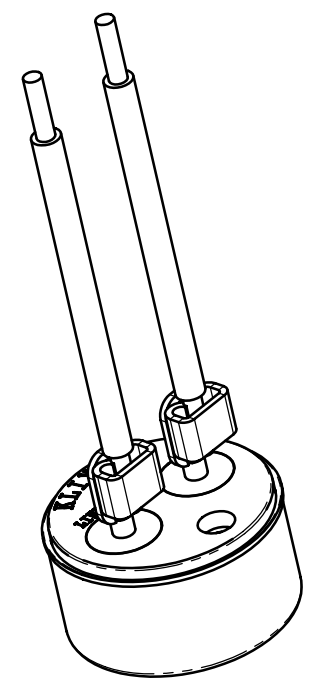
2

1

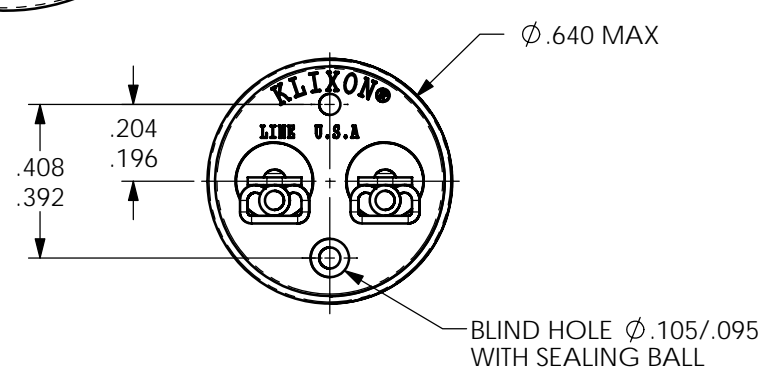
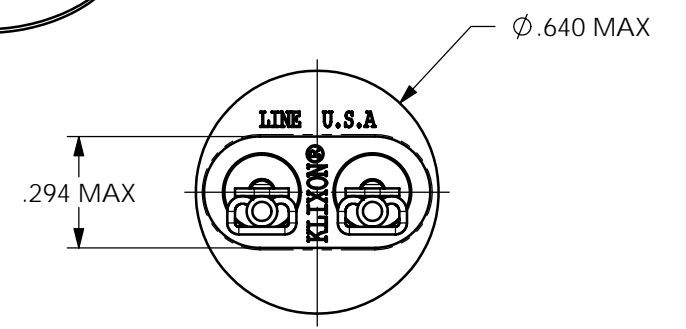
ZONE	REV.	REVISION DESCRIPTION	ECN NO.	DATE
	C	UPDATED TO GENERIC ENVELOPE DRAWING: GML	ECN0031798	19-OCT-2006



CONFIGURATION 1

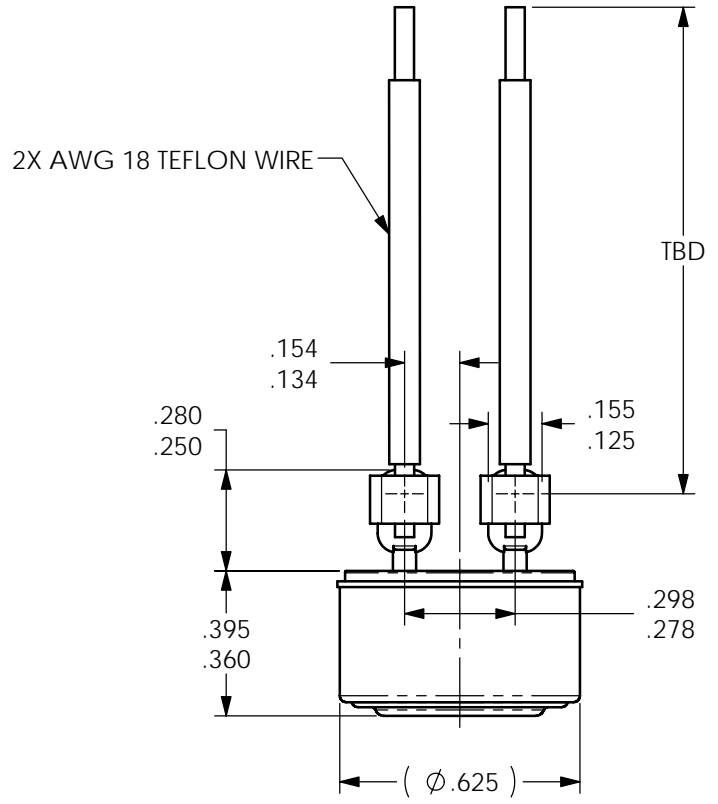
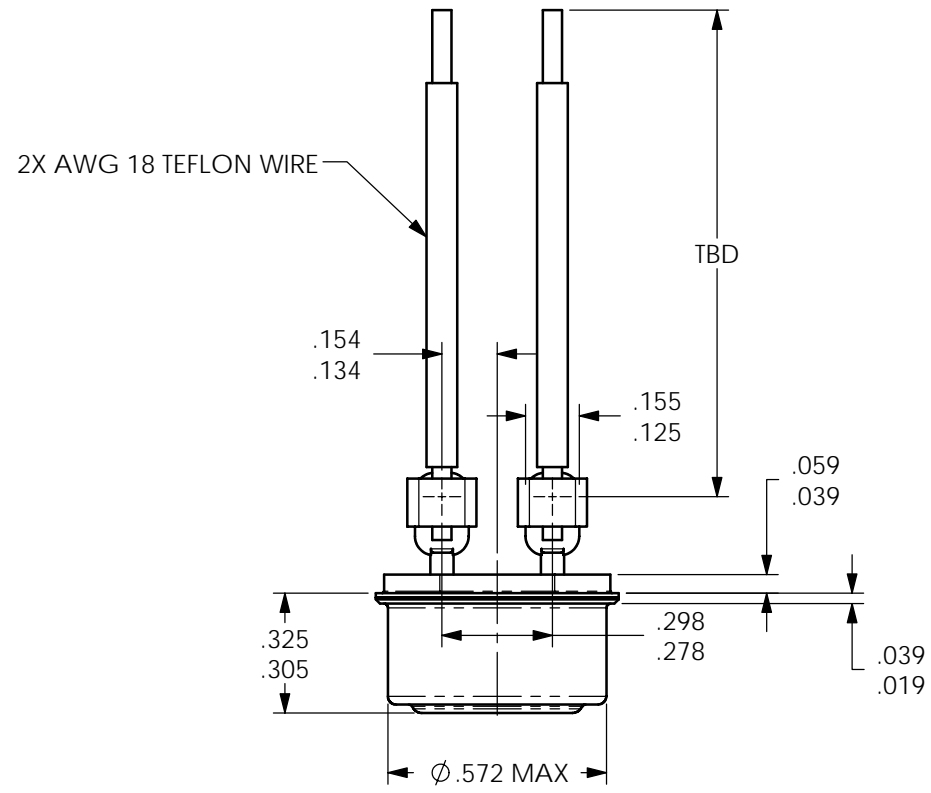


CONFIGURATION 2



MATERIAL:
 CONFIGURATION 1: COPPER-NICKEL PLATED CARBON STEEL
 CONFIGURATION 2: UPDATED 304L STAINLESS STEEL

DIELECTRIC STRENGTH:
 TERMINAL TO CASE, 1250VAC, FOR 1 MINUTE



FOR REFERENCE ONLY, CHECK LATEST REVISION BEFORE USE. PARTS MADE TO THIS PRINT MUST CONFORM TO E9898 REV. E		 529 PLEASANT STREET P.O. BOX 2964 ATTLEBORO, MA 02703	TITLE 4344-318 THERMOSTAT SPST AUTO. RESET SEALED ENVELOPE DRAWING
DRAWN MARK FONTES DATE 13-APR-1998	NEITHER THIS PRINT NOR THE INFORMATION CONTAINED HEREON IS TO BE USED AGAINST THE INTERESTS OF SENSATA TECHNOLOGIES OR AGAINST THE INTERESTS OF ANY OF ITS AFFILIATED COMPANIES OR WHOLLY OWNED SUBSIDIARIES		
ENGINEER S.B. MARQUIS DATE 13-APR-1998	UNLESS OTHERWISE SPECIFIED DIMENSIONS ARE IN INCHES TOLERANCES DECIMALS ANGLES	SCALE 2:1 SOLIDWORKS SHEET 1 OF 1	
APPROVED J.H. JESSOP DATE 13-APR-1998		THIRD ANGLE PROJECTION	SIZE B
APPROVED M.D. LILLEY DATE 13-APR-1998	DO NOT SCALE DRAWING	DEVICE: 4344	PROJECT: 256A

4

3

2

1