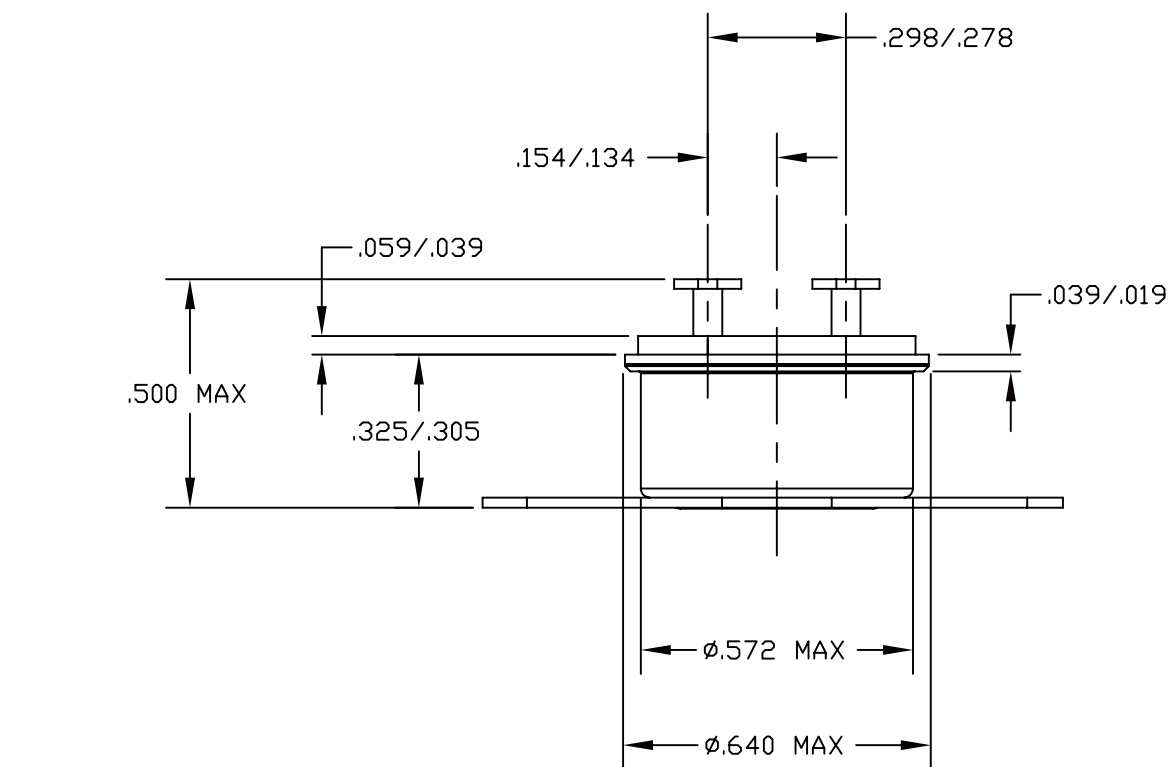
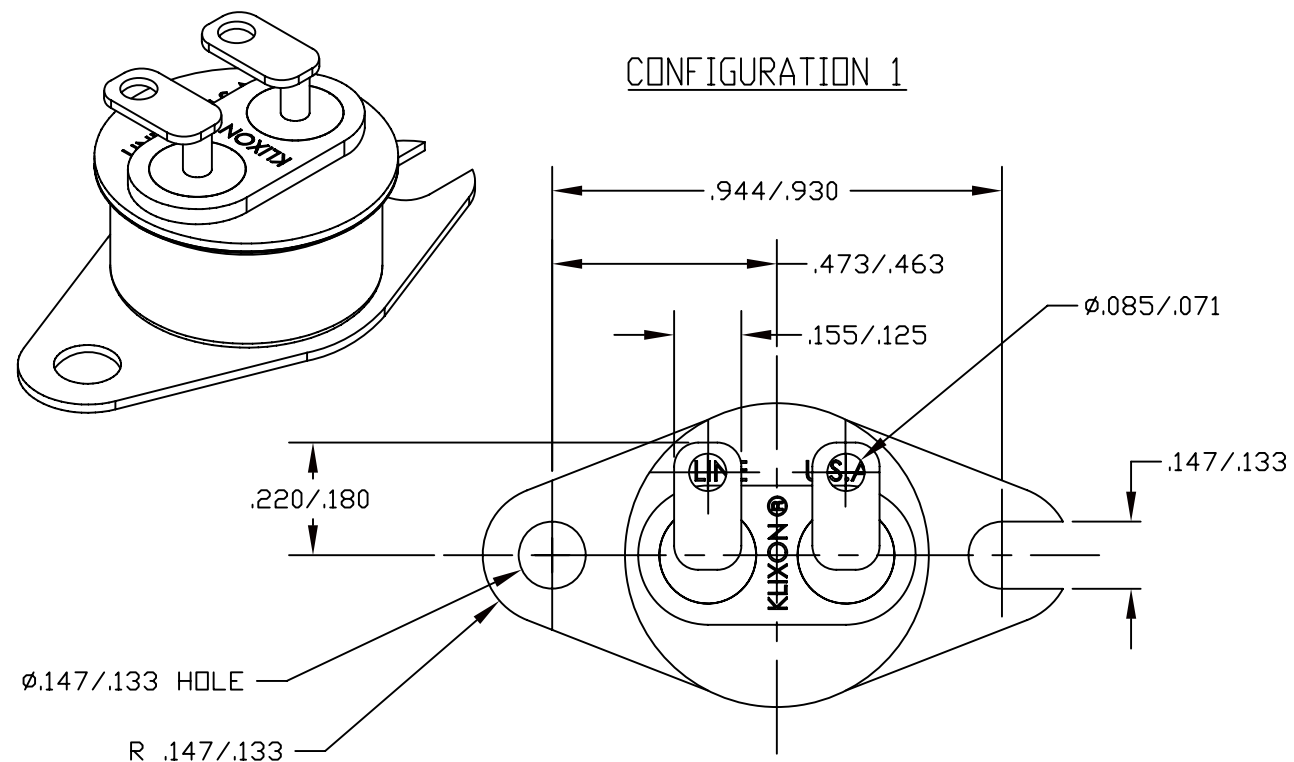


ZONE	REV.	REVISION DESCRIPTION	ECN NO.	DATE
	C	.395/.360 DIM WAS .325/.305; PAF	ECN0031309	19-SEP-2006

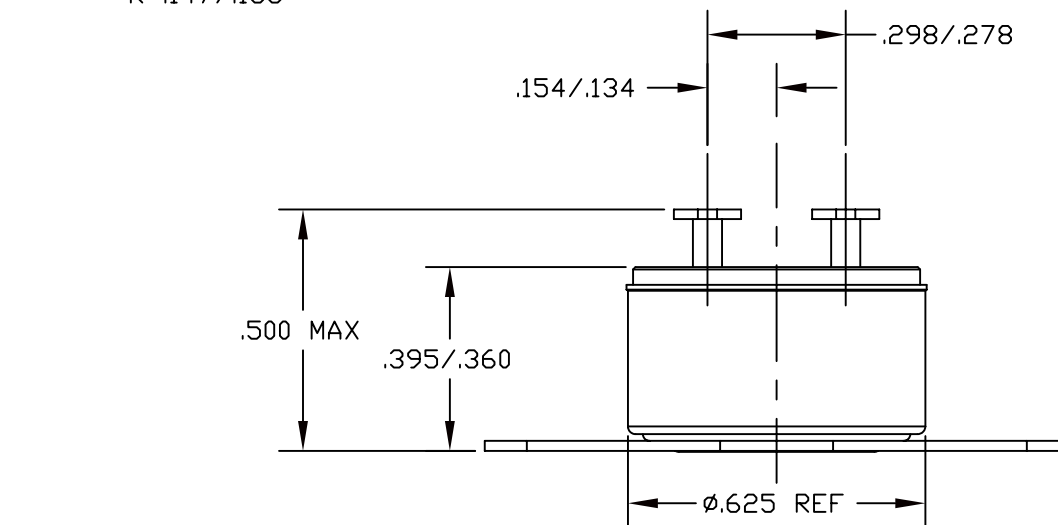
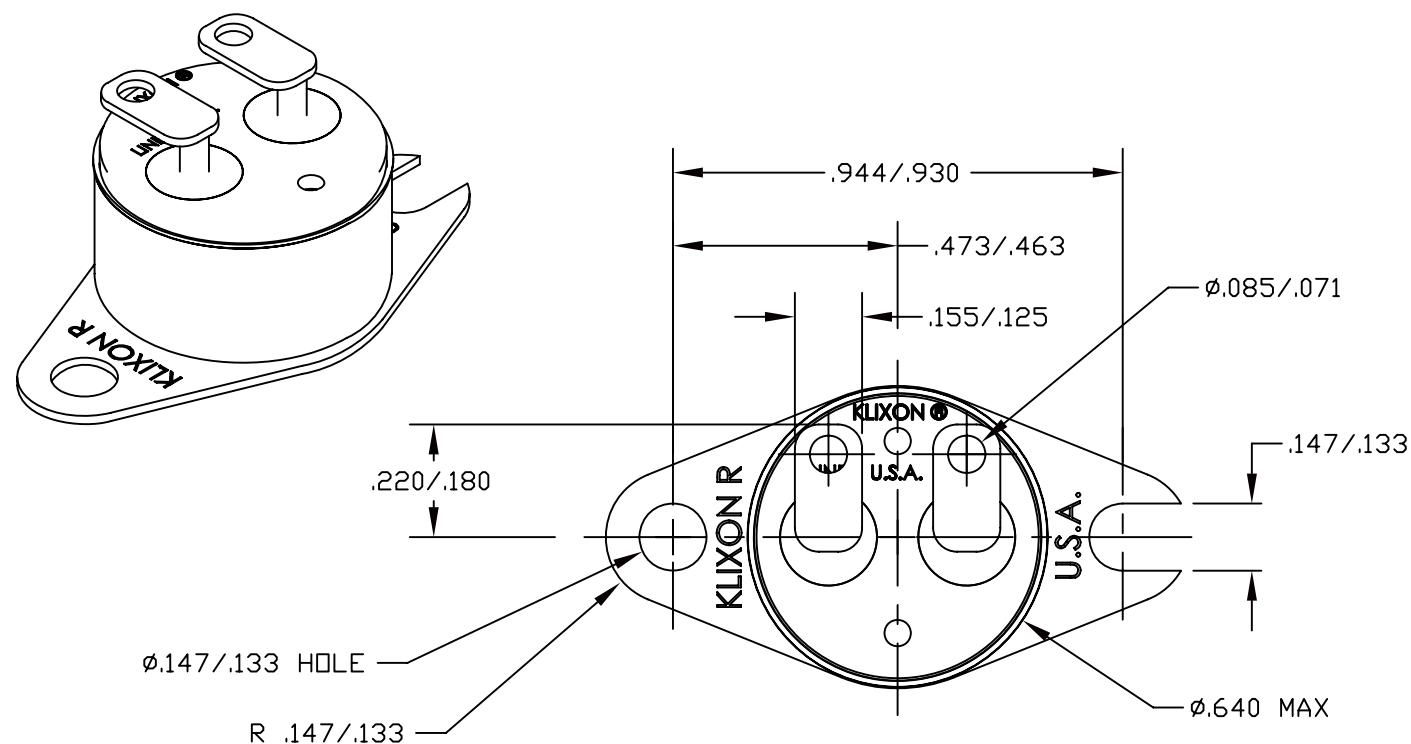
CONFIGURATION 1



MATERIAL:  
 CONFIGURATION 1: COPPER-NICKEL PLATED CARBON STEEL  
 CONFIGURATION 2: UNPLATED 304L STAINLESS STEEL

DIELECTRIC STRENGTH:  
 TERMINAL TO CASE, 1250VAC, FOR 1 MINUTE

CONFIGURATION 2



FOR REFERENCE ONLY, CHECK LATEST REVISION BEFORE USE.  
 PARTS MADE TO THIS PRINT MUST CONFORM TO E9898 REV. E

DRAWN  
 PAF  
 DATE 06-SEP-2006

ENGINEER  
 S. MARQUIS  
 DATE 06-SEP-2006

APPROVED  
 D. PETRIE  
 DATE 06-SEP-2006

APPROVED  
 P. BERG  
 DATE 06-SEP-2006

NEITHER THIS PRINT NOR THE INFORMATION  
 CONTAINED HEREON IS TO BE USED AGAINST THE  
 INTERESTS OF SENSATA TECHNOLOGIES, INC. OR  
 AGAINST THE INTERESTS OF ANY OF ITS AFFILIATED  
 COMPANIES OR WHOLLY OWNED SUBSIDIARIES

UNLESS OTHERWISE SPECIFIED  
 DIMENSIONS ARE IN INCHES  
 TOLERANCES  
 DECIMALS ANGLES

THIRD ANGLE  
 PROJECTION

DO NOT SCALE DRAWING

SIZE  
 B

**Sensata** Technologies  
 529 PLEASANT STREET  
 P.O. BOX 2964  
 ATTLEBORO, MA 02703

TITLE  
 THERMOSTAT SPST  
 AUTO RESET SEALED  
 ENVELOPE DRAWING

DWG NO.  
**4344-144**

REV.  
 C

SCALE 2:1 | AUTOCAD | SHEET 1 OF 1

DEVICE: 4344 PROJECT: 256A