

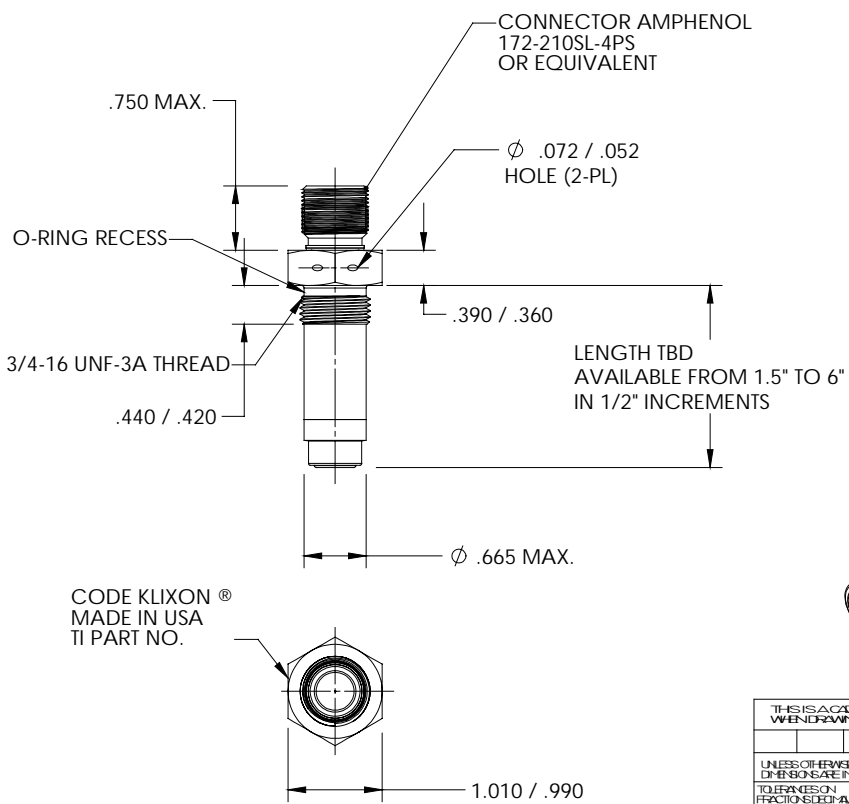
4

3

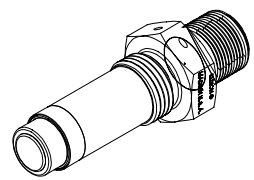
2

1

REVISIONS				
ZONE	LTR	DESCRIPTION	DATE	APPROVED



- CHARACTERISTICS
- BASIC THERMOSTAT: 11041 STYLE
 - DIELECTRIC STRENGTH: 1250 VAC FOR 1 MINUTE TERMINALS TO CASE
 - MATERIAL: #300 STAINLESS STEEL
- NOTES:
- ORIENTATION OF CONNECTOR WITH RESPECT TO DEVICE CENTERLINE IS NOT CONTROLLED.



THIS IS A CAD DRAWING. THE GEOMETRY IN THE ASSOCIATED CAD COMPUTER FILE IS DIMENSIONALLY ACCURATE. WHEN DRAWING IS BEING REVISED, THE GEOMETRY MUST BE UPDATED IN ALL VIEWS AND ON ALL SHEETS.

UNLESS OTHERWISE SPECIFIED DIMENSIONS ARE IN INCHES	ENGINEER	DATE	TEXAS INSTRUMENTS ATILEBORO MA 02705		
TOLERANCES ON FRACTIONS DECIMALS ANGLES	S. MARQUIS	3/25/02	TITLE		
MATERIAL	APPROVED		THERMOSTAT SWITCH ENVELOPE DRAWING		
	APPROVED		SIZE	CODE IDENT NO.	
			B	82647	21542 STYLE
SIGNATURES ON FILE. REFER TO ELECTRONIC CHANGE NOTICE.			SCALE		SHEET

NEITHER THIS PRINT NOR THE INFORMATION CONTAINED THEREON IS TO BE USED AGAINST THE INTEREST OF TEXAS INSTRUMENTS, INC. OR AGAINST THE INTERESTS OF ANY OF ITS AFFILIATED COMPANIES OR WHOLLY OWNED SUBSIDIARIES.

FOR REFERENCE ONLY CONSULT TEXAS INSTRUMENTS CUSTOMER SERVICE FOR LATEST REVISION BEFORE USE

4

3

2

1