



Absolute Position Steering Angle Sensor

First Technology's Absolute Position Steering Angle Sensors are designed to provide a low cost solution for applications that require accurate, non-contacting absolute position information. Using proprietary digital techniques, absolute position can be obtained at incremental encoder pries.

All sensors are based on proven, non-contacting optical technology and feature hysteresis free, high reliability, zero non-linearity sensing. These sensors range from simple incremental up to full multi-turn lock-to-lock steering.

First Technology is an ISO and TS registered company. We provide world-class quality products error free and on time.

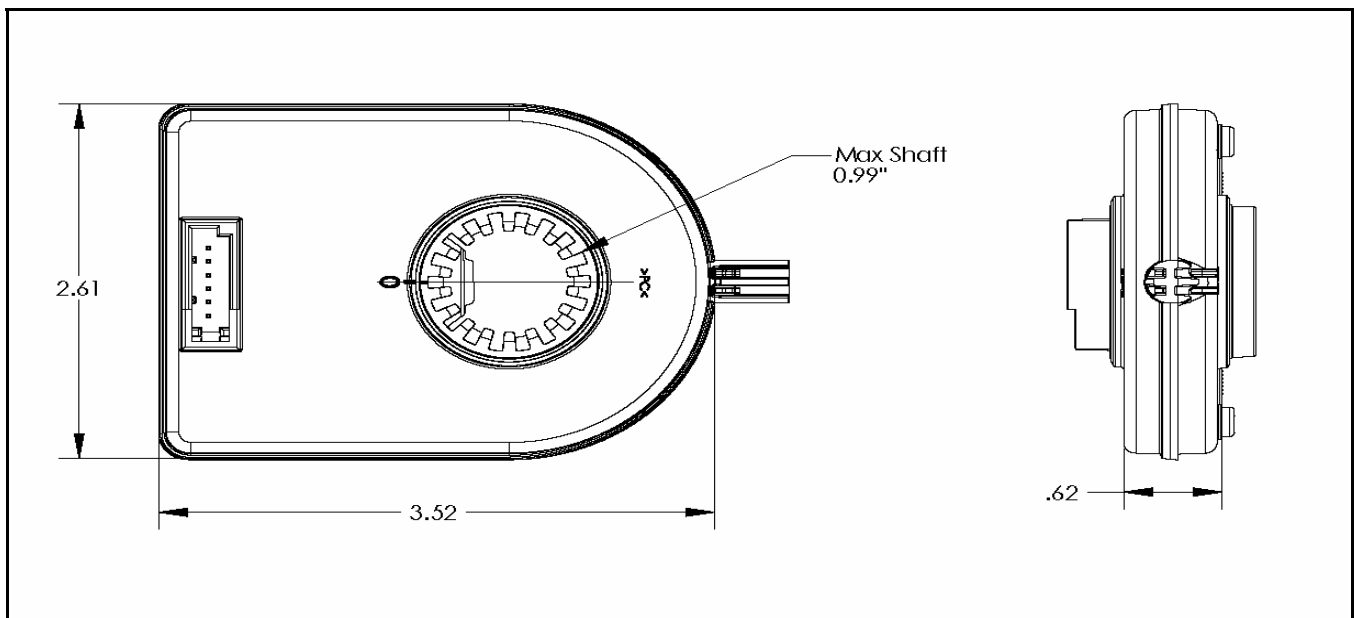
Features:

- Multiple form factors available
- Basic resolution of 1.0 degree
- Designed for automotive use
- Built-in diagnostics
- Redundant elements available
- No wearing sensing components
- Raw, LIN and CAN outputs

Benefits:

- Cost effective replacement for contacting type sensors
- Easily integrated into existing systems
- Higher levels of information over incremental sensor
- No "keep alive power" requirements





General Specifications	
Resolution	1°, others available upon request
Accuracy (non-cumulative)	± 2.5° absolute accuracy
Initialization Period	Approximately 5° depending on specified resolution
Output Format	Quad, LIN or CAN
Supply Voltage	8-16 Volts DC, 28V max
Supply Current	<70 mA nominal
Max RPM	2000° per second
Operating Temperature	-40°C to 85°C
Storage Temperature	-40°C to 105°C
Operational Life	>10,000 hours

Global Sales Offices

North America

Sensata Technologies, Inc.
Electrical Protection
529 Pleasant Street, MS B-49
Attleboro, Massachusetts 02703
Phone: 1-508-236-3287

Europe

Sensata Technologies Holland B.V.
Kolphofsingel 8
7602 EM Almelo
The Netherlands
Phone: 31-546-879560

Asia

Sensata Technologies (Shanghai) Co., Ltd.
Novel Plaza, 8th Floor
128 Nanjing Road
West Huangpu District
Shanghai 200003, PRC
Phone: 86-21-23061553

Central & South America

Sensata Technologies Sensores e
Controles Do Brasil LTDA.
Rua Azarias de Melo, 648
Bairro Taquaral-Campinas/SP
Brasil
Phone: 19-3754-1142

Middle East & India

Sensata Technologies India Pvt. Ltd.
Bagmane Tech Park
Byrasandra CV Raman Nagar
Bangalore-560 093
India
Phone: 91-25-099329



www.sensata.com