

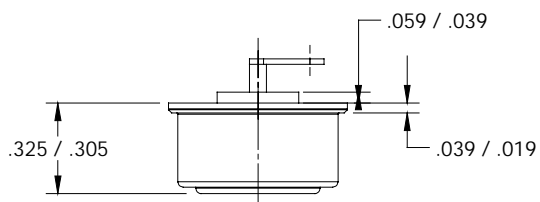
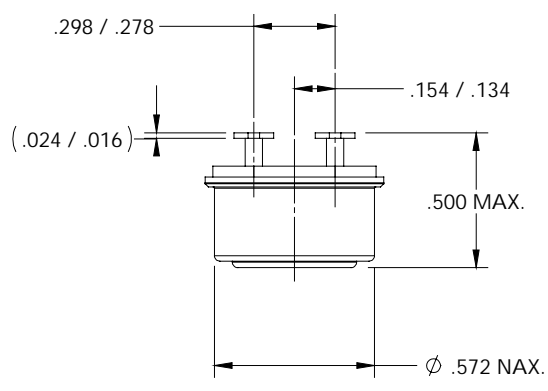
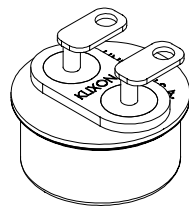
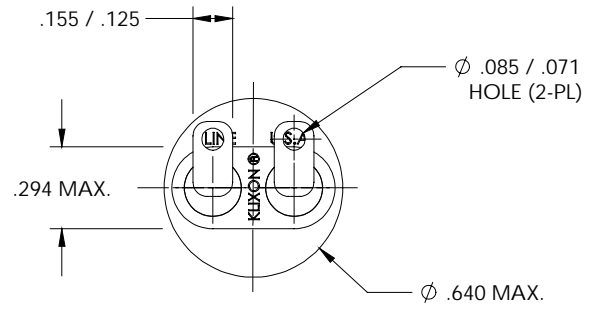
4


3

2

1

REVISIONS				
ZONE	LTR	DESCRIPTION	DATE	APPROVED



UNLESS OTHERWISE SPECIFIED DIMENSIONS ARE IN INCHES				
TOLERANCES ON FRACTIONS DECIMALS ANGLES				
DRAWN S. MARQUIS		DATE 3/25/02		<b>TEXAS INSTRUMENTS</b> ATILEBORO MA 02705 
ENGINEER		APPROVED		
MATERIAL		APPROVED		<b>THERMOSTAT SWITCH ENVELOPE DRAWING</b>
SIGNATURES ON FILE. REFER TO ELECTRONIC CHANGE NOTICE.		SIZE B	CODE IDENT NO. 82647	11041-12 STYLE
SCALE			SHEET	

NEITHER THIS PRINT NOR THE INFORMATION CONTAINED THEREON IS TO BE USED AGAINST THE INTEREST OF TEXAS INSTRUMENTS, INC. OR AGAINST THE INTERESTS OF ANY OF ITS AFFILIATED COMPANIES OR WHOLLY OWNED SUBSIDIARIES.

FOR REFERENCE ONLY CONSULT TEXAS INSTRUMENTS CUSTOMER SERVICE FOR LATEST REVISION BEFORE USE

4

3

2

1